

CRIMPED WIRE MESH BASKETS, TILT HANDLES

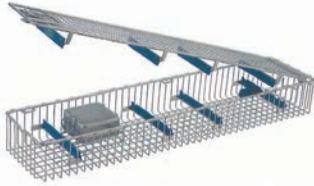
Crimped Wire Mesh Baskets are used for washing, disinfecting, sterilizing, storing and handling surgical instruments.

- Tilt handles are mounted on the inside and drop inside the basket for stacking
- Single frame, double frame and detention frame lids available
- Baskets are stackable.



ENDOSCOPE STERILIZATION TRAY WITH LENS BASKET

Endoscope Baskets provide security for costly endoscopes during washing and sterilization processes. The silicone padding also provide protection for the endoscope during handling and storage.

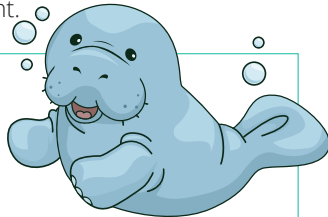


INSTRUMENT CASSETTES WITH SPRING HOLDING LIDS

These cassettes are specially designed to minimize the contact area when instruments are inside the cassette. Each instrument is held by a separate spring. The cassette holds thick and thin instruments securely in a single cassette arrangement.



*Take **15% OFF** your next surgical instrument order.



Use the discount code TRAYS15 when you place your order. Offer valid on USA orders only. Offer may not be combined with other offers.

WORLD PRECISION INSTRUMENTS

USA: 175 Sarasota Center Boulevard, Sarasota FL 34240-9258 USA

Tel: (941) 371-1003 • **Fax:** (941) 377-5428 • **E-mail:** wpi@wpiinc.com •

Internet: www.wpiinc.com

UK: 1 Hunting Gate, Hitchin, Hertfordshire SG4 0TJ England • Tel: 44 (0)1462 424700 • E-mail: wpiuk@wpi-europe.com

Germany: Saarstraße 23, D-61169 Friedberg (Hessen), Tel: +49 (0)6031 1602171 • Fax: +49 (0)6031 1602180 • E-mail: wpide@wpi-europe.com

China & Hong Kong: Rm 27A, Liangfeng Building, No 8, Dongfang Road, Pudong New District, Shanghai, PRC • Tel: +86 21 6888 5517 • Toll Free: 400 688 5517 • E-mail: chinasales@china.wpiinc.com

Brazil: Conselheiro Nabias, 756 sala2611, Santos-São Paulo 11045-002 Brazil • E-mail: info@brazil.wpiinc.com



WORLD
PRECISION
INSTRUMENTS

STERILIZATION BASKETS & TRAYS

TAKE 15% OFF
your next order!*



QUALITY, COST-EFFECTIVE
EQUIPMENT
FOR WHEREVER
SCIENCE TAKES
YOU

WPI offers a comprehensive range of surgical instrument baskets and trays. Our instrument trays and baskets provide a high degree of protection for costly surgical instruments during storage, transportation and sterilization. Trays are available in a variety of sizes and designs that accommodate a wide range of surgical instruments.

We are backed by ISO 9001-2015, ISO 13485, 2003 Certification, CE & FDA. Our baskets are made from high quality stainless steel, providing both strength and durability at an affordable price. They are designed with rounded corners and edges to avoid two common problems:

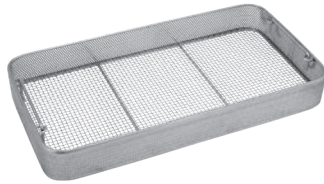
- Burr-free rounded corners prevent wraps from being torn by sharp edges
- Smooth edges reduce user injury

We guarantee all products against poor craftsmanship and material. Any item found to be defective will be repaired or replaced free of charge. This guarantee does not cover any product which becomes defective through misuse, negligence or mishandling.

SIDE PERFORATED BASKETS, WIRE BASE

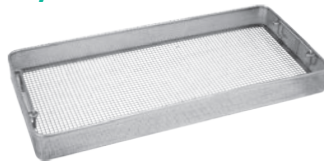
The wire base is designed for quickly drying instruments after washing and sterilizing. They are perfect for handling and storage of instruments.

- Single frame, double frame and detention frame lids available
- Side walls are perforated to protect sharp instrument edges and tips from damage. The hole size is 2.0 mm.



SIDE PERFORATED BASKETS, FLAT BASE

The flat base is designed for quick drying of the instruments after washing and sterilizing. These baskets are also used for handling and storage of instruments.



WIRE MESH BASKETS, DROP IN HANDLES

Wire Mesh Baskets are used for washing, disinfecting, sterilizing, storing and handling surgical instruments.

- Handles are mounted on the inside and drop inside the basket for stacking
- Single frame, double frame and detention frame lids available
- Baskets are stackable



FINE MESH BASKETS WITH LIDS

Fine Mesh Baskets With Lids are used for washing, sterilizing and storing micro surgical instruments.

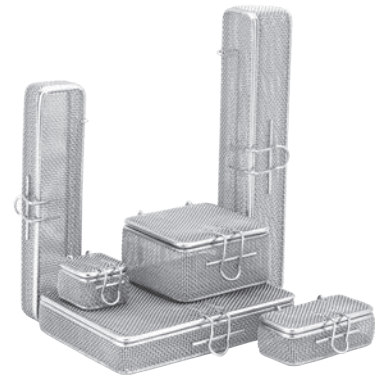
- Top and lid frame wire diameter: 3.5 mm and 4.0 mm (depending on the basket)
- Wire locking clip



MICRO FINE MESH BASKETS WITH LIDS

Micro Fine Baskets are used for washing, sterilizing and storing delicate micro surgical instruments and parts.

- Top and lid frame wire diameter: 3.5 mm
- Micro fine mesh with opening squares of 1.0 mm and wire diameter of 0.5 mm
- Wire locking clip



FULL PERFORATED TRAYS WITH LIDS

Micro Fine Baskets are used for washing, sterilizing and storing delicate micro surgical instruments and parts.

- Perforated hole size of 2.0 mm
- Hinged lids
- Top and lid frame rod diameter: 3.5 mm and 4.0 mm (depending on the basket)
- Full wall perforation to protect sharp instruments' edges and tips from damage
- Sheet locking clip

