



Stereotaxic Frame

Assembly and Setup



World Precision Instruments, Inc.

USA

International Trade Center, 175 Sarasota Center Blvd., Sarasota FL 34240-9258
Tel: 941-371-1003 • Fax: 941-377-5428 • E-mail: sales@wpiinc.com

UK

Astonbury Farm Business Centre • Aston, Stevenage, Hertfordshire SG2 7EG
Tel: 01438-880025 • Fax: 01438-880026 • E-mail: wpiuk@wpi-europe.com

Germany

Liegnitzer Str. 15, D-10999 Berlin
Tel: 030-6188845 • Fax: 030-6188670 • E-mail: wpide@wpi-europe.com

Internet

www.wpiinc.com • www.wpi-medical.com
www.nitricoxide.net • www.pipetter.com

www.wpiinc.com

INSTRUCTION MANUAL

Serial No. _____

032608

World Precision Instruments



WORLD PRECISION INSTRUMENTS, INC.
 175 Sarasota Center Boulevard
 Sarasota, FL 34240-9258 USA
 Telephone: (941) 371-1003 Fax: (941) 377-5428
 e-mail wpi@wpiinc.com

DECLARATION OF CONFORMITY

We: World Precision Instruments, Inc.
 175 Sarasota Center Boulevard
 Sarasota FL 34240-9258
 USA

as the distributor of the apparatus listed, declare that the product(s):

Title: WPI Digital Stereotaxic Frame Catalog No. 502900
WPI Dual Manipulator Digital Stereotaxic Frame Catalog No. 502903
WPI Digital Stereotaxic Frame Catalog No. 502950
WPI Dual Manipulator Digital Stereotaxic Frame Catalog No. 502953
WPI 3-Axis Digital Stereotaxic Frame Catalog No. 502222

to which this declaration relates are in conformity with the following standards or other normative documents:

EMC: EN 61326:1997+A1:1998+A2:2001+A3:2003
EN55022
EN61000-4-2/-3

and therefore conform with the protection requirements of Council Directive 89/336/EEC relating to electromagnetic compatibility.

Issued on: February 14, 2008

Mr. Cliff Bredenberg
 General Manager
 World Precision Instruments, Inc.
 175 Sarasota Center Boulevard
 Sarasota, FL 34240-9258 USA

Mr. Glen Carlquist
 Vice President of Manufacturing
 World Precision Instruments, Inc.
 175 Sarasota Center Boulevard
 Sarasota, FL 34240-9258 USA

Introduction

WPI's Precision Stereotaxic Instrument is built around the time-proven U-frame design concept, providing stability, and adaptability to most species. Precision alignment ensures accurate placement of electrodes, micropipettes, and other devices. It is ideal for researchers in need of a versatile, reliable instrument for stereotaxic procedures with small animals.

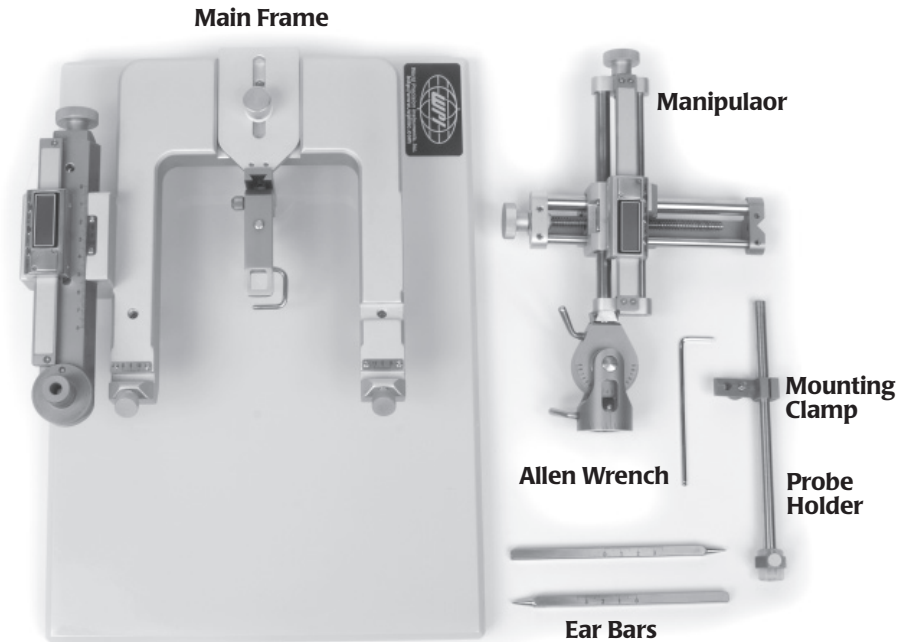


Figure 1 – Shows the components of the small animal Stereotaxic. If any components are missing, please call WPI immediately at 941-371-1003 and ask for Technical Support.

- Components:**
- Frame and base with Y axis
 - Arm with X-Z axis
 - Two ear bars
 - Allen wrench
 - Probe holder (small, medium)

Assembly

Step 1

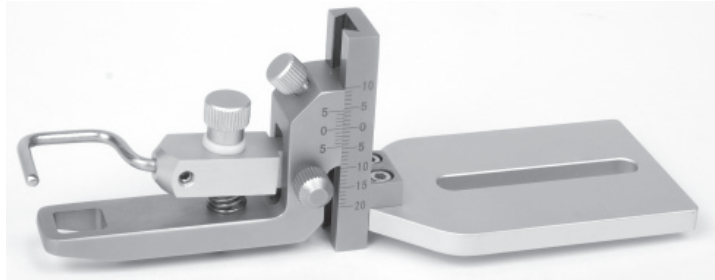


Figure 2 – The rat adaptor assembly is shipped mounted upside down on the main frame to protect it from damage.

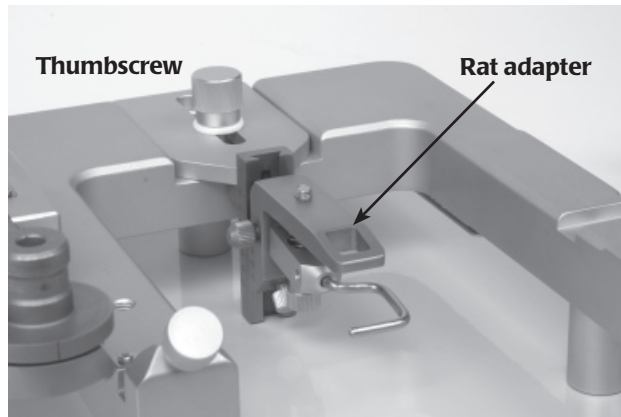


Figure 3 – Remove the thumbscrew and re-install the rat adaptor in the upright position

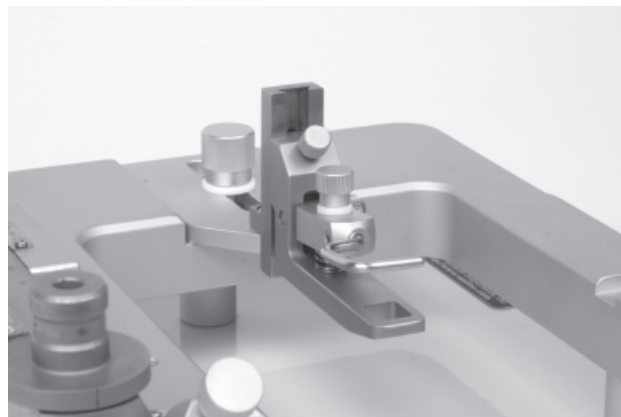


Figure 4

Warranty

WPI (World Precision Instruments, Inc.) warrants to the original purchaser that this equipment, including its components and parts, shall be free from defects in material and workmanship for a period of one year* from the date of receipt. WPI's obligation under this warranty shall be limited to repair or replacement, at WPI's option, of the equipment or defective components or parts upon receipt thereof f.o.b. WPI, Sarasota, Florida U.S.A. Return of a repaired instrument shall be f.o.b. Sarasota.

The above warranty is contingent upon normal usage and does not cover products which have been modified without WPI's approval or which have been subjected to unusual physical or electrical stress or on which the original identification marks have been removed or altered. The above warranty will not apply if adjustment, repair or parts replacement is required because of accident, neglect, misuse, failure of electric power, air conditioning, humidity control, or causes other than normal and ordinary usage.

To the extent that any of its equipment is furnished by a manufacturer other than WPI, the foregoing warranty shall be applicable only to the extent of the warranty furnished by such other manufacturer. This warranty will not apply to appearance terms, such as knobs, handles, dials or the like.

WPI makes no warranty of any kind, express or implied or statutory, including without limitation any warranties of merchantability and/or fitness for a particular purpose. WPI shall not be liable for any damages, whether direct, indirect, special or consequential arising from a failure of this product to operate in the manner desired by the user. WPI shall not be liable for any damage to data or property that may be caused directly or indirectly by use of this product.

Claims and Returns

- Inspect all shipments upon receipt. Missing cartons or obvious damage to cartons should be noted on the delivery receipt before signing. Concealed loss or damage should be reported at once to the carrier and an inspection requested. All claims for shortage or damage must be made within 10 days after receipt of shipment. Claims for lost shipments must be made within 30 days of invoice or other notification of shipment. Please save damaged or pilfered cartons until claim settles. In some instances, photographic documentation may be required. Some items are time sensitive; WPI assumes no extended warranty or any liability for use beyond the date specified on the container.
- WPI cannot be held responsible for items damaged in shipment en route to us. Please enclose merchandise in its original shipping container to avoid damage from handling. We recommend that you insure merchandise when shipping. The customer is responsible for paying shipping expenses including adequate insurance on all items returned.
- Do not return any goods to WPI without obtaining prior approval and instructions (RMA#) from our returns department. Goods returned unauthorized or by collect freight may be refused. The RMA# must be clearly displayed on the outside of the box, or the package will not be accepted. Please contact the RMA department for a request form.
- Goods returned for repair must be reasonably clean and free of hazardous materials.
- A handling fee is charged for goods returned for exchange or credit. This fee may add up to 25% of the sale price depending on the condition of the item. Goods ordered in error are also subject to the handling fee.
- Equipment which was built as a special order cannot be returned.
- Always refer to the RMA# when contacting WPI to obtain a status of your returned item.
- For any other issues regarding a claim or return, please contact the RMA department.

Warning: This equipment is not designed or intended for use on humans.

* Electrodes, batteries and other consumable parts are warranted for 30 days only from the date on which the customer receives these items.

Acceptable replacement batteries:

Battery replacement WPI #502157 (pkg of 10)
 Chemistry Manganese Dioxide, mAh: 150, Volts: 1.5
 Duracell LR44
 Energizer A76
 Panasonic LR44
 Rayovac RW51
 Varta V13

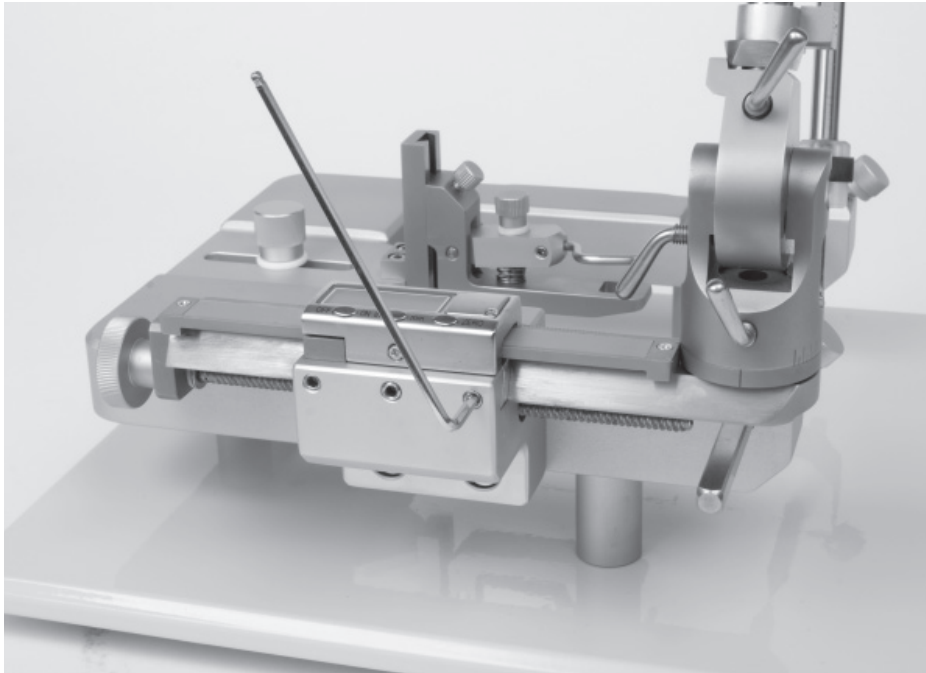


Figure 13 – Adjustment of Horizontal Dovetail A-P slide. The horizontal dovetail slide assembly incorporates a mechanical system to allow the user to minimize the mechanical looseness of the movement. The horizontal dovetail sliding mechanism is pre-adjusted from the factory, but with use it may require adjustment. If the slide becomes too loose, correct it by gently tightening the three Allen screws.

Step 2

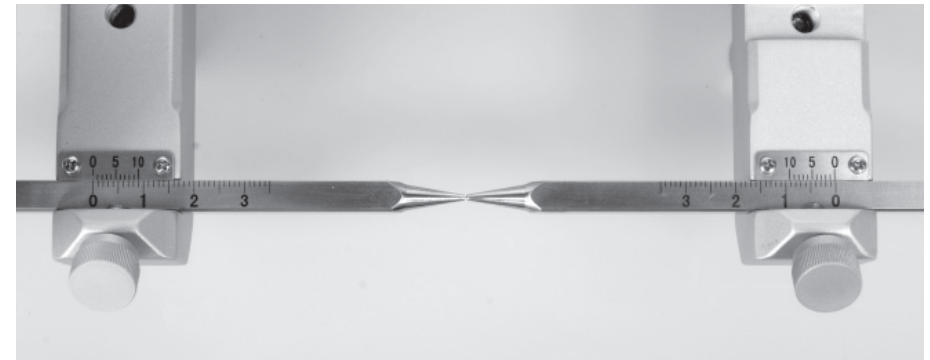
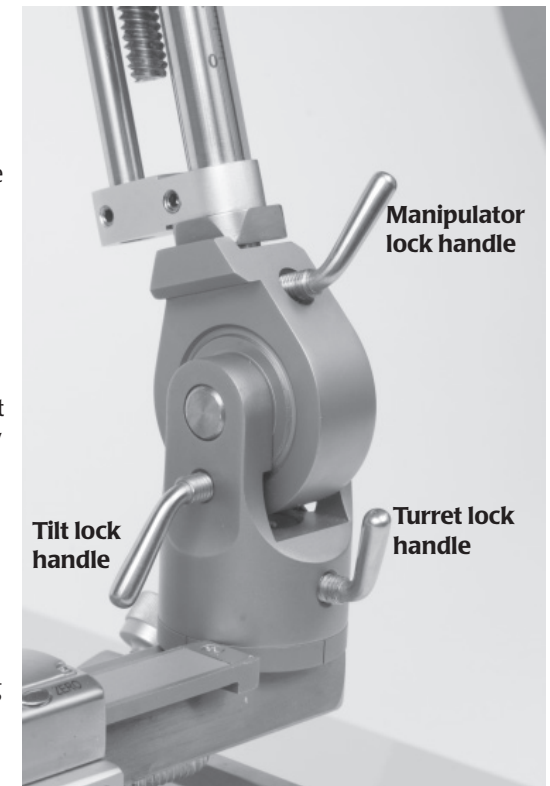


Figure 5 – Install Ear bars. The ear bars mount into the ear bar channels as shown. Loosen the thumb screws, install the ear bars - gently tightening the thumbscrews enough to secure them without over tightening them.

Step 3

Figure 6 – Loosen the turret lock handle, so that it does not protrude into the mounting hole. Align the turret with the turret post, so that the manipulation assembly slides down into contact with the base of the turret post. If the manipulator will not easily fit to the turret base, check to will not easily fit to the turret base, check to be certain that the turret lock handle is sufficiently loosened so as not to interfere. A properly assembled manipulator is shown in (Fig. 8)

NOTE: The orientation of the manipulaor can be adjusted in the horizontal plane. This is accomplished by loosening the manipulator lock handle, removing the manipulator assembly, and re-installing it in the desired orientation



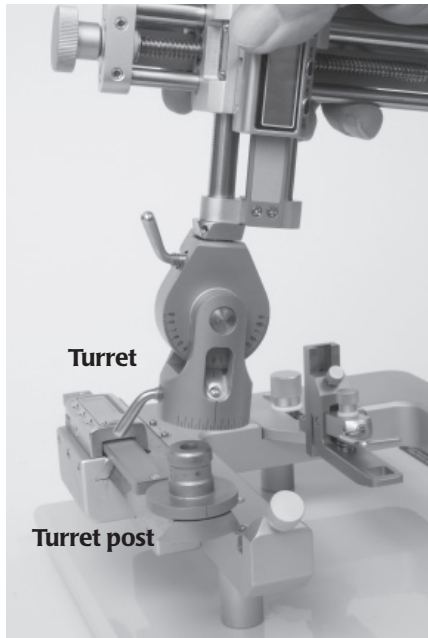


Figure 7

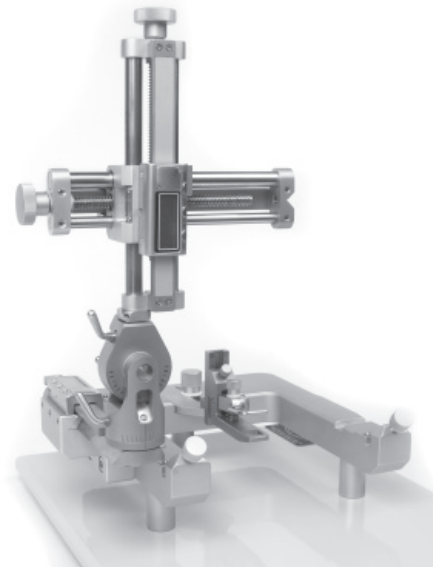


Figure 8 – Final assembly

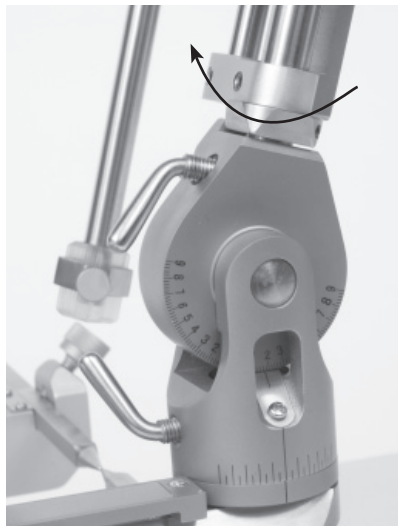


Figure 9 – Manipulator assembly can be rotated in 90° increments in the horizontal plane.

Step 4

Figure 10 – Mount the probe holder. The probe holder is provided pre-assembled with a mounting clamp which incorporates a V-shaped fitting that couples directly to the mating "V" recess on the X-axis of the manipulator. Align the parts and tighten the clockwise to secure the probe holder to the manipulator assembly.

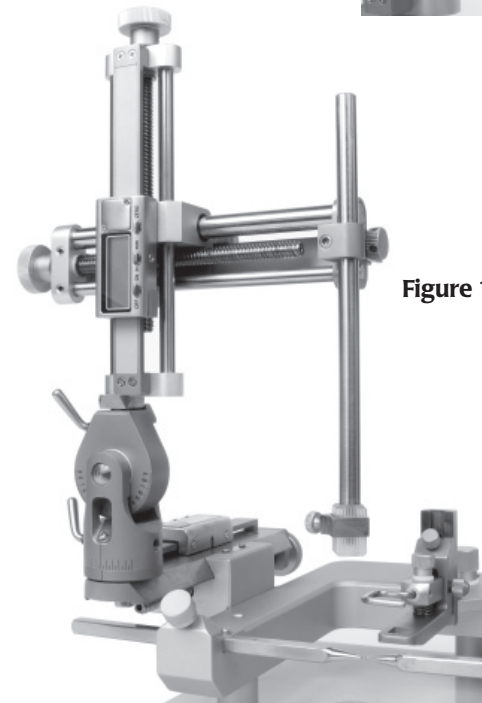
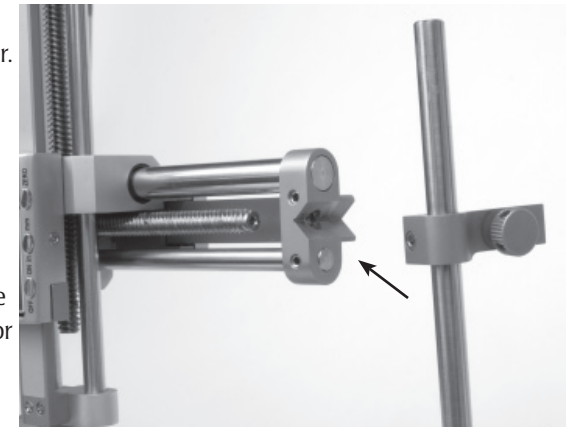


Figure 11 – Completed assembly.

Figure 12 – Digital readout battery replacement to replace the battery, remove the two battery cover screws, and remove the cover. The battery is installed with "+" side up.

